

INTRODUCTION

This parts catalog lists replacement parts for the BC-1200 and the BC-1400. The purpose of this parts catalog is to locate and identify replaceable components and supply information on how to order them.

Catalog Description

This catalog is divided into major sections labeled with figure numbers, which correspond to the illustrations used. Some assemblies require more than one illustration to identify the parts. Each page has a sheet number to identify the sheet as part of that assembly's parts list.

Replacing parts that are welded or riveted onto an assembly is normally impractical. Therefore, replacement parts are not listed for these items. The assembly containing the welded or riveted part should be replaced.

Parts List Description

The parts list contains four columns:

- **Figure, Sheet, and Index Number** — The first entry in this column is the figure number of the corresponding illustration. An index number, when listed, corresponds to the index number appearing on the illustration. Index numbers are not used when items are listed for reference purposes only or when the item listed is an alternate part.
- **Rowe Part Number** — This column lists the part number to use when ordering replacement parts or making inquiries.
- **Description** — This column gives a word description of each part or assembly. Each item is indented to show its relationship to the next higher assembly.
- **Qty** — This column contains the part quantity used in the assembly. When a figure describes more than one model of an assembly, the "Qty" column is divided to show each model.

Ordering Replacement Parts

All replacement parts must be ordered directly from an Authorized Rowe® Distributor.

Once the replacement item has been determined, complete a Standard Parts Order Form (available from your Rowe® Distributor at no charge). Very often, parts orders are delayed because of inadequate or incomplete parts order forms. To enable prompt delivery, always specify the following information:

- Part Number and Description (indicate color, if applicable)
- Quantity Required
- Machine Model and Serial Number
- Complete Shipping Address, including the ZIP code
- Shipping Instructions must be supplied. If the shipping method is Parcel Post, Air Parcel Post, United Parcel Service, or Air UPS, and the packages may exceed the size and weight limits of these services, indicate an alternate shipping method.

If the shipment must be delivered as fast as possible, specify "Fastest Way". Rowe® will select the carrier for orders that justify shipment by truck.

Figure 6-1. BC-1200 Bill and Changer Assembly

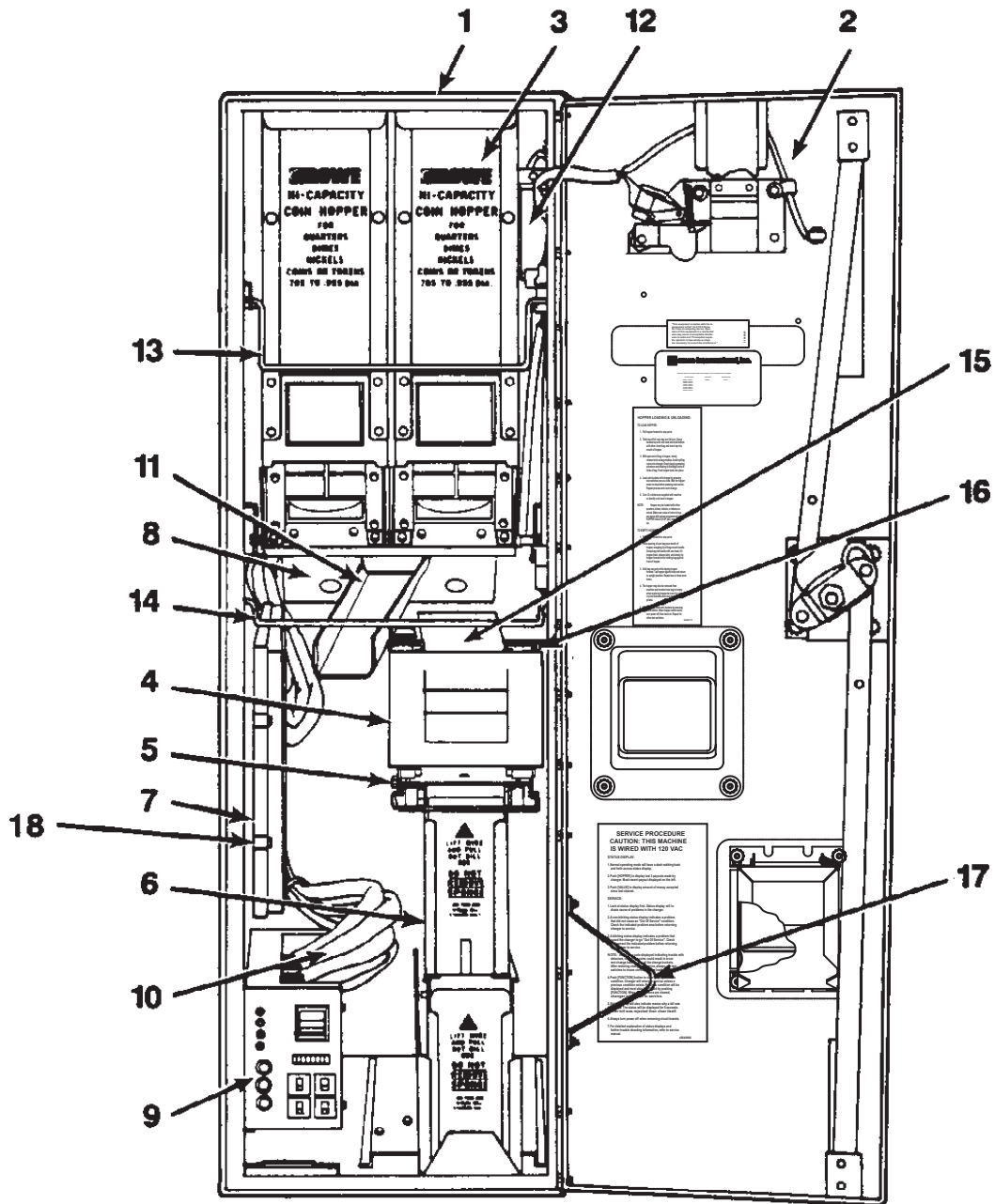


Figure 6-1. BC-1200 Bill and Changer Assembly

Ref.	Part No.	Description	Qty
	Ref.	BC-1200 Bill and Coin Changer Assembly	
		• BC-1200 Cabinet Assembly	1
1	65037815	• Cabinet Weld Assembly (Charcoal Brown)	1
	65037808	• Cabinet Weld Assembly (White)	
	65037809	• Cabinet Weld Assembly (IBM Black)	
2	Ref.	• Door Assembly (see Figure 6-2)	1
3	Ref.	• Hi-Capacity Hopper Assembly (see Figure 6-10)	As Ordered
	65027608	•• Nickel, Dime, and Quarter Hopper	As Ordered
	65027609	•• Quarter, Dollar Coin, and Token Hopper	3
4	65068501	• Bill Acceptor Transport Assembly (see Figure 6-5)	1
5	65046804	• Dual Bill Stacker Assembly (see Figure 6-13A)	1
6	45034603	• Bill Box Assembly	2
7	65069059	• Control Computer Assembly (see Figure 6-7)	1
	27023902	• Hopper Brush (not shown)	1
	47002004	•• Label - "Pays \$ Coins"	1
	25238802	•• Service Manual	1
	25168801	•• Shoulder Screw (1/4-20 SQHD)	4
	89954004	•• Drive Screw (#10 x 1/4)	1
	25030901	•• Warning Label	4
	70121408	•• Spacer	4
	87835700	•• Hex MS Nut (1/4-20)	4
	25070232	•• Bill Insertion Label (\$1 & \$5 ¹)	1
	25070233	•• Bill Insertion Label (\$1, 5, 10 ¹)	1
	25070234	•• Bill Insertion Label (\$1, 5, 10, 20 ¹)	1
	25165802	•• Hopper Identification Label	1
	25254801	• Cleaning Strips	1
8	65058011	• Coin Dispenser (see Figure 6-8)	1
9	45078006	• Power Control Center with Bracket (see Figure 6-6)	1
10	65067905	• Main Harness Assembly	1
11	45087501	• Chute Assembly - Coin Cup	1
12	25228001	• Junction Box and Filter Assembly	1
	25175801	• Junction Box Cover Assembly	1
	25152704	• Filter and Lug Assembly	1
13	25164601	• Hopper Retainer Bail	1
14	25166502	• Stop Rod	1
15	25166602	• Coin Spill Shield	1
16	35023307	• Bill Acceptor Mounting Bracket	2
17	25111202	• Push Bar (Cash Box)	1
18	45060803	• Guide Plate - Control Computer	1
	70093403	• Cable Clamp (1")	4

¹ For additional labels, see the list of accessories at the end of this parts catalog.

Figure 6-2. BC-1200 Front Door Assembly

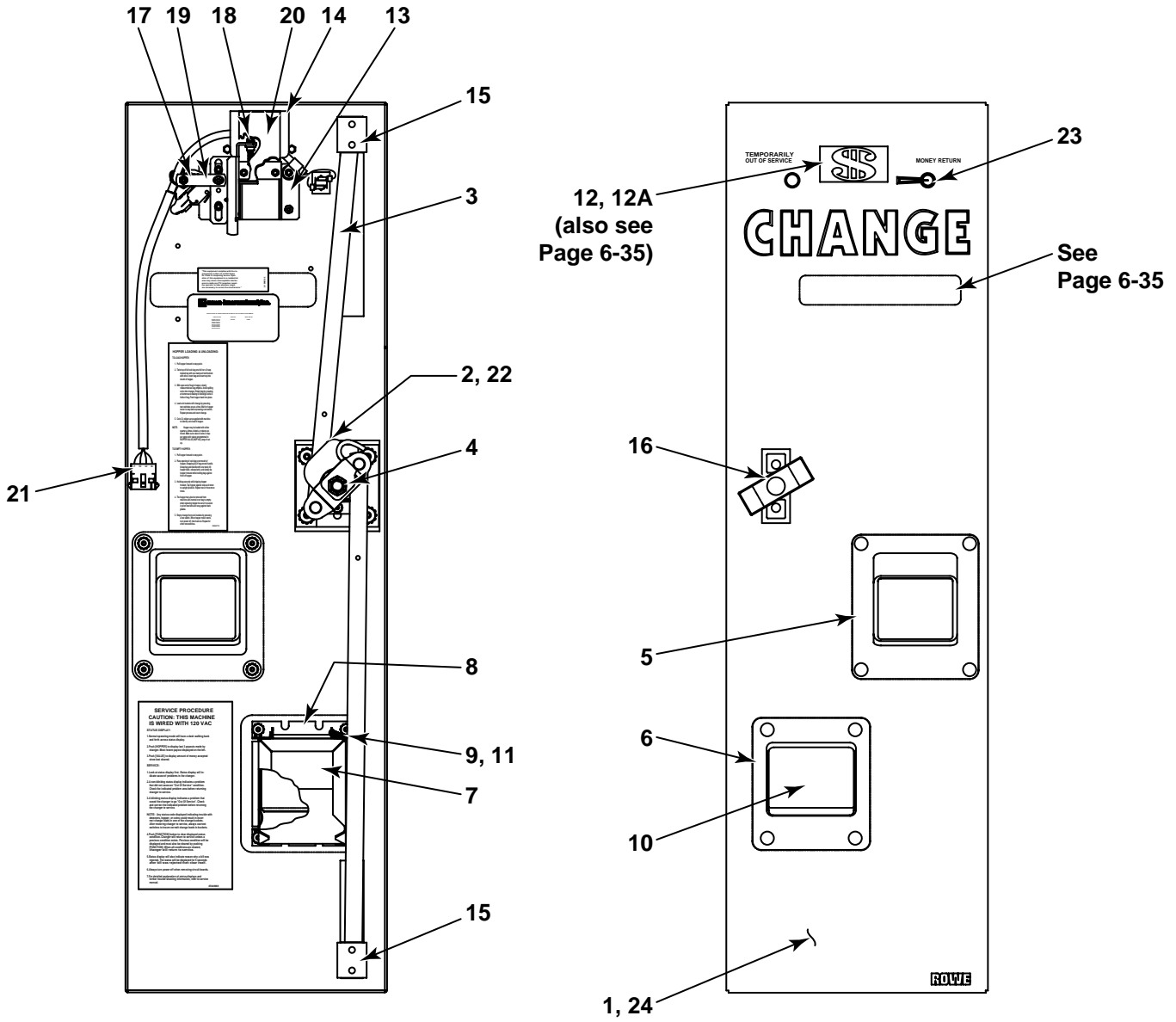


Figure 6-2. BC-1200 Front Door Assembly

Ref.	Part No.	Description	Qty
Ref.		Door Assembly (No Coin Acceptor - see the list of accessories for coin acceptor kits)	
Note: Use the following numbers to order the complete door assembly with hardware (listed door color/decals color). For Decal part numbers, refer to the Accessory List at the end of the section.			
		Door Color/Decal Color	
	65071321	• Black/Black	
	65071352	• Charcoal Brown/Brown	
	65071353	• Blue/Blue	
Note: Use the following numbers to order the painted door only (without hardware or decals).			
	65071207	• • Door Weld Assembly (Black)	
	65071208	• • Door Weld Assembly (Charcoal Brown)	
	65071209	• • Door Weld Assembly (Blue)	
1	65071206	• Door Weld Assembly (Black) without 35085101 Bracket	1
2	25164401	• Spring - Strap	1
3	35027708	• Lockbar Assembly	1
4	21357815	• Nut - Elastic Stop (1/2-13 UNC)	1
5	45087101	• Bill Acceptor Trim Plate	1
	70134212	• • Carriage Bolt	4
	87845700	• • Hex Nut	4
	70121408	• • Spacer	4
6	45087201	• Coin Chute Trim Plate	1
	70134121	• • Carriage Bolt	4
	87845700	• • Hex Nut	4
7	45085601	• Change Cup Assembly (Coins)	1
8	35121501	• Mounting Bracket (Coin Cup)	2
9	25181701	• Tension Spring	1
10	35116901	• Change Cup Door	1
11	25239701	• Door Shaft (Coin Cup)	1
12	35038204	• Coin Inlet Trim (No Coins)	1
	25211713	• Decorative Decal	1
12A	35038203	• Coin Inlet Trim (w/ Coins)	A/R
13	45112101	• Chute Assembly - Coin Inlet	1
14	35085101	• Hopper Hold-Down Bracket	1
15	25224901	• Flat Spring (Lockbar)	2
16	45062002	• T-Handle Assembly (Tubular or Medeco) w/o Lock Cylinder & Key	1
17	25255801	• Switch (NC)	1
18*	21083601	• Tension Spring	1
19	25251203	• Pivot Link	1
20	25190002	• Sponge Rubber Pad	1
21	35032009	• Harness Assembly - Empty Light	1
22	25064401	• Tension Spring	1
23	25192801	• Handle & Shaft Assembly	1
	70146008	Nyliner Bearing	2
	25092909	Reject Lever Bearing	1
Service Door Assembly			
24	27045701	BC-1200 Black Service Door Assembly (includes 35085101 Bracket)	

* See also Figure 6-14 for more detail on the Money Return Lever Assembly.

Figure 6-3. BC-1400 Bill Changer Assembly

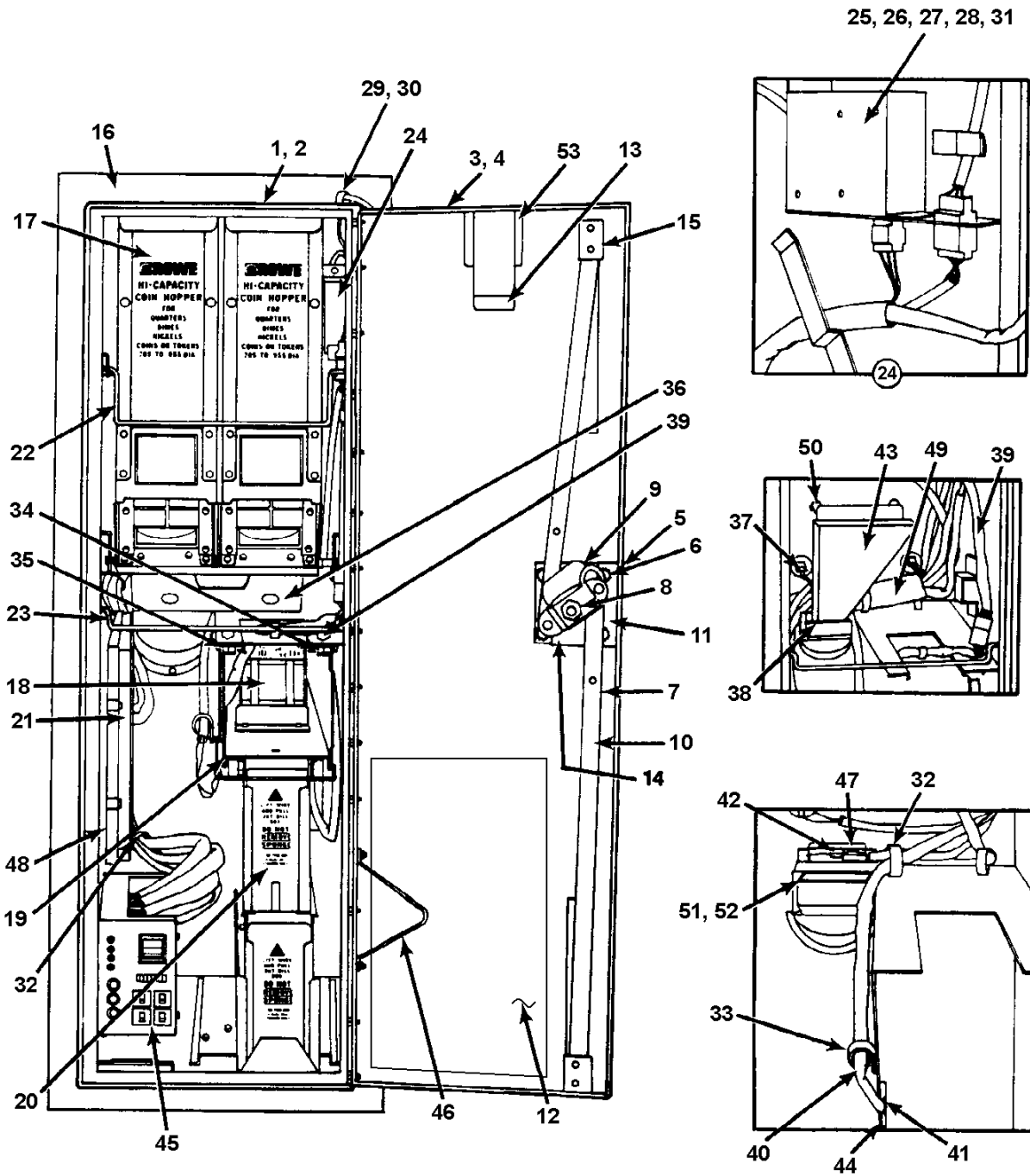


Figure 6-3. BC-1400 Bill Changer Assembly

Ref.	Part No.	Description	Qty
1	52078020	BC-1400 Bill Changer Assembly	1
2	65037816	• Cabinet Weld Assembly (Charcoal Brown)	1
3	65071330	• Door Assembly (Charcoal Brown)	1
4	65061806	• • Door Weld Assembly w/Lock Cylinder & Key (Charcoal Brown)	1
5	45062001	• • T-Handle Assembly (visible from front of door)	1
6	70134103	• • Carriage Bolt (10-24 x 3/4)	2
7	25064401	• • Tension Spring	1
8	21357815	• • 1/2-13 Hex Lock Nut	1
9	25164401	• • Spring Strap	1
10	35027708	• • Lockbar Assembly	1
	35025506	• • Lock Lever and Bracket Assembly	1
11	35068302	• • Lock Plate	1
12	45048909	• • Service Label	1
13	25190002	• • Sponge Rubber Pad	1
14	25199101	• • Lockbar Stop Bracket	1
15	25224901	• • Lockbar Flat Spring	2
16	65064403	• • Front Panel Assembly (see Figure 6-4)	1
17	Ref.	• Hi-Capacity Hopper Assembly (see Figure 6-10)	2
	65027608	• • • Nickel, Dime, and Quarter Hopper	2
	65027609	• • • Quarter, Dollar Coin, and Token Hopper	2
18	65068501	• • Bill Acceptor Transport Assembly (see Figure 6-5)	1
19	65046808	• • Dual Bill Stacker Assembly (see Figure 6-13B)	1
20	45034603	• • Bill Box Assembly	2
21	65069059	• Control Computer Assembly (see Figure 6-7)	1
22	25164606	• Hopper Retainer Bail	1
23	25166502	• Stop Rod	1
24	25228001	• Junction Box and Filter Assembly	1
	25175801	• • Junction Box Cover Assembly	
25	70092108	• • Solderless Connector	2
26	70124004	• • Cup Washer	1
27	70134112	• • Special Ground Screw (Green)	1
28	25152704	• • Filter and Lug Assembly	1
29	25078407	• • Cord and Plug Assembly	1
30	70232302	• • Strain Relief (Right Angle)	1
31	70232203	• • Strain Relief	1
32	70093403	• Cable Clamp (1")	1
33	70093402	• Cable Clamp (13/16")	1
34	35085701	• Guide Rail Assembly (LH)	2
35	35085801	• Guide Rail Assembly (RH)	1
36	65058012	• Coin Dispenser Assembly (BC-1400) (see Figure 6-8)	1
37	35120701	• • Empty Light Harness Assembly	1
38	35110901	• Chute Overlay Bracket	1
39	35118801	• Transport Harness Assembly	1
40	45070302	• Heater Harness and Plug Assembly	1
41	25234001	• • Flexible Heater	1
42	25234102	• Thermostat Assembly	1
43	45060002	• Coin Chute Assembly	1
44	35099801	• Holder and Stud Assembly	1
45	45078006	• Power Control Center with Bracket (see Figure 6-6)	1
47	25111202	• • Cash Box Push Bar	1
47	35111403	• • Thermostat Mounting Bracket	1
48	45060803	• • Guide Plate (Control Computer)	1
49	65067905	• • Main Harness Assembly	1
50	25112901	• • Support Post	2
51	35121601	• • Coin Cup Cover	1
52	35091001	• • Support & Chute Assembly	1
	25231313	• • Accessories Bag Assembly	1
	25030901	• • • Warning Label	1
	70121408	• • • Spacer	1
	25070232	• • • Bill Insertion Label (\$1 & \$5)	1
	25070233	• • • Bill Insertion Label (\$1, \$5, & \$10 BL)	1
	25070234	• • • Bill Insertion Label (\$1, \$5, \$10, and \$20)	1
	25165802	• • • Hopper Identification Label	1
	25239601	• • • Decal - \$10 (BC-1400 only)	1
	25239602	• • • Decal - \$10 & \$20 (BC-1400 only)	1
	47002004	• • • Label (Pays \$1 Coins)	1
	27023902	• • • Hopper Brush	1
	25254801	• • • Bill Transport Cleaning Strip	1
	25242117	• • • Schematic Addendum	1
53	35085101	• Hopper Hold-Down Bracket	1

Figure 6-4. BC-1400 Front Panel

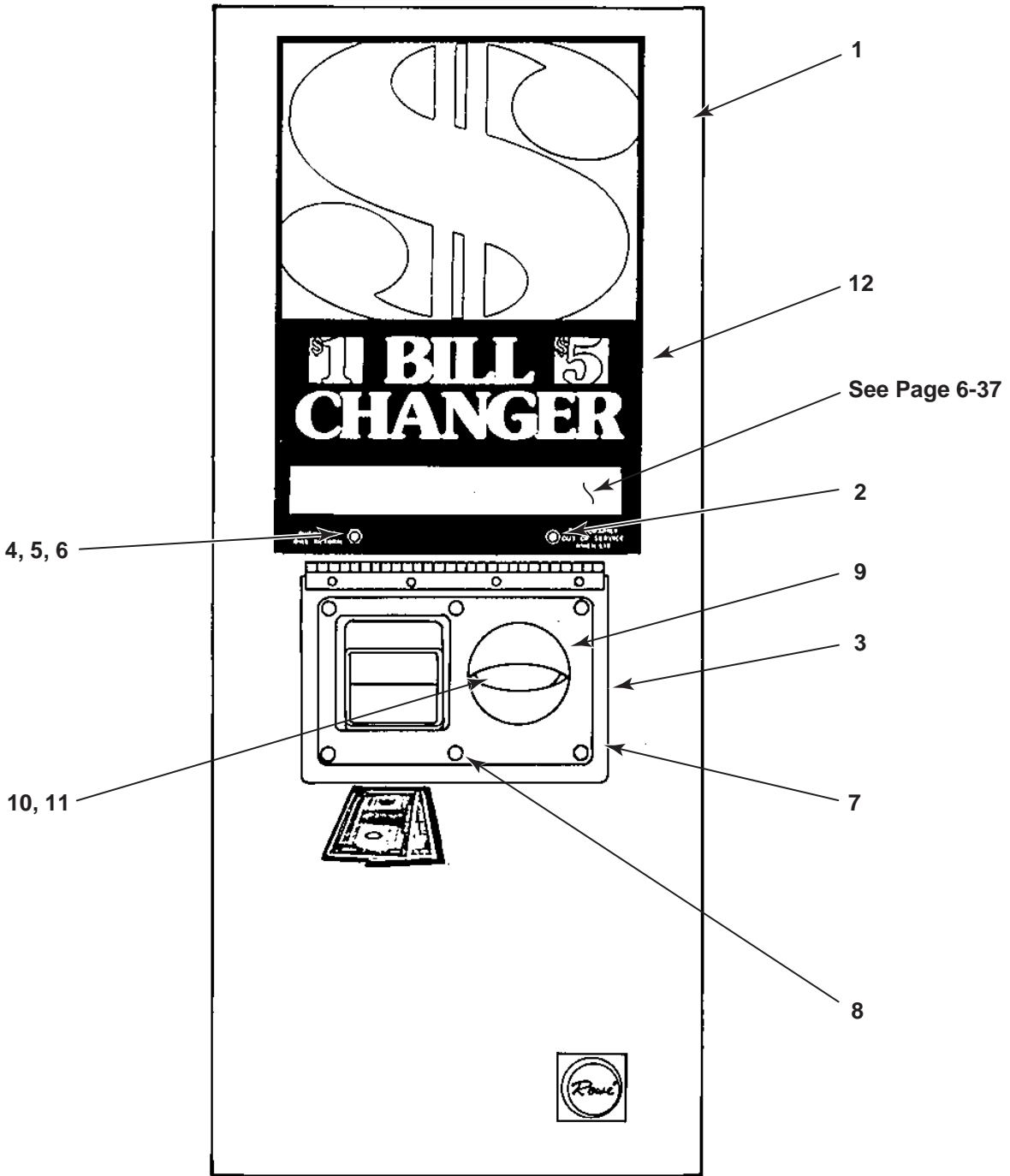
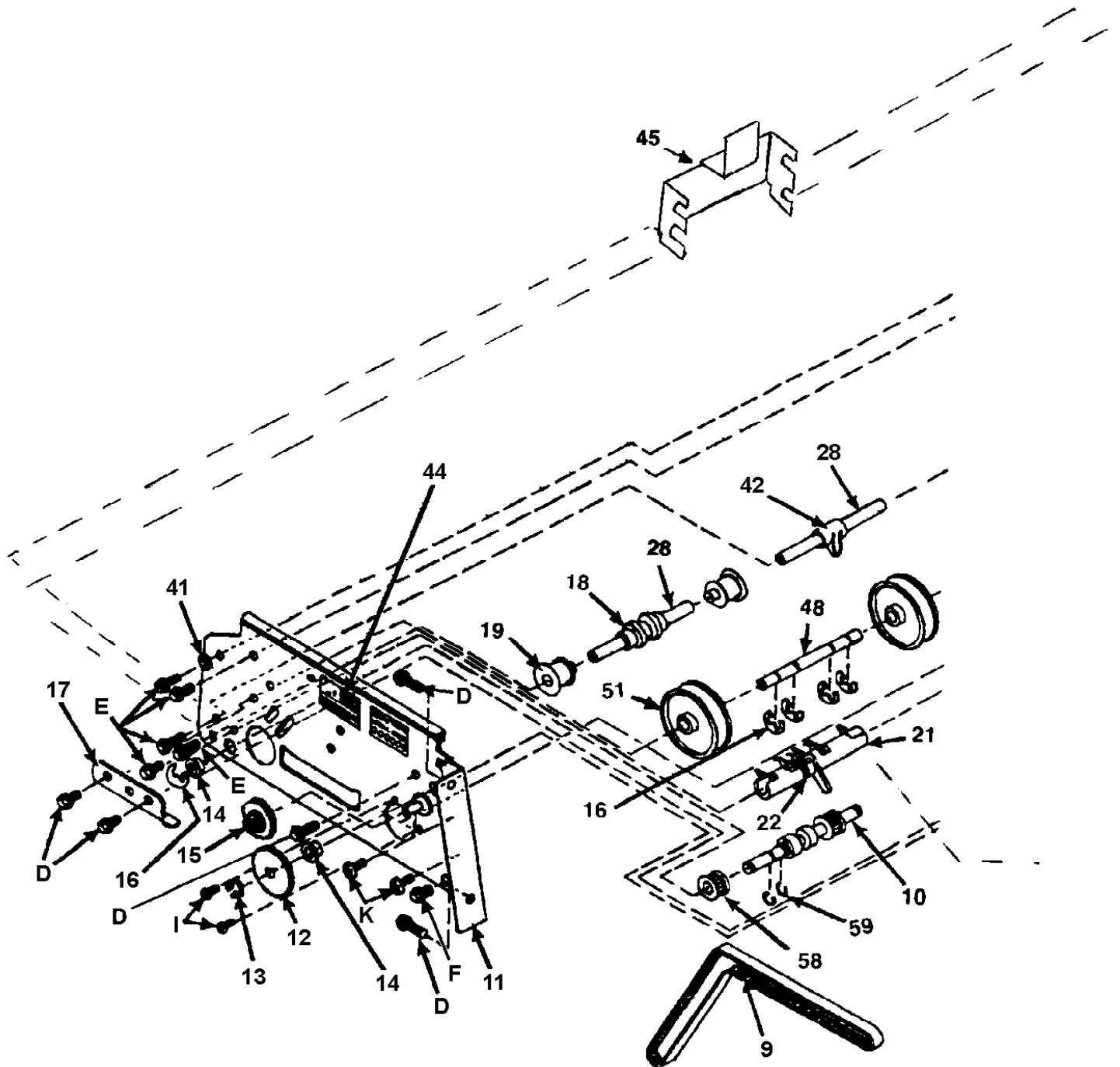


Figure 6-4. BC-1400 Front Panel

Ref.	Part No.	Description	Qty
		BC-1400 Front Panel	
	65064403	• BC-1400 Front Panel Assembly	1
1	65053605	•• Stainless Steel Panel Assembly (Grey) with Grapic Lettering and Logo	1
2	25191301	•• Indicator Light	1
3	35085501	•• Shield and Hinge Assembly	1
4	21581801	•• Pushbutton Swtich	1
5	70122001	•• Lock Washer (Internal)	1
6	25198401	•• Protective Cover (Switch)	1
7	45048004	• Trim Plate (Bill Acceptor and Coin Cup)	1
8	70134121	• Chrome Head Screw	6
9	35003201	• Coin Cup	1
10	35000201	• Change Door	1
11	25062001	• Hinge Wire	1
12	27029312	• Decal - \$1 & \$5 (Service Part)	1
Optional:			
	65064402	• BC-1400 Front Panel Assembly with Lettering and Logo (No Graphics)	
	65053604	• S.S. Panel with Lettering and Logo (No Graphics)	

Figure 6-5. BA-50 Bill Acceptor Assembly

(Corresponding Parts List on page 6-14)



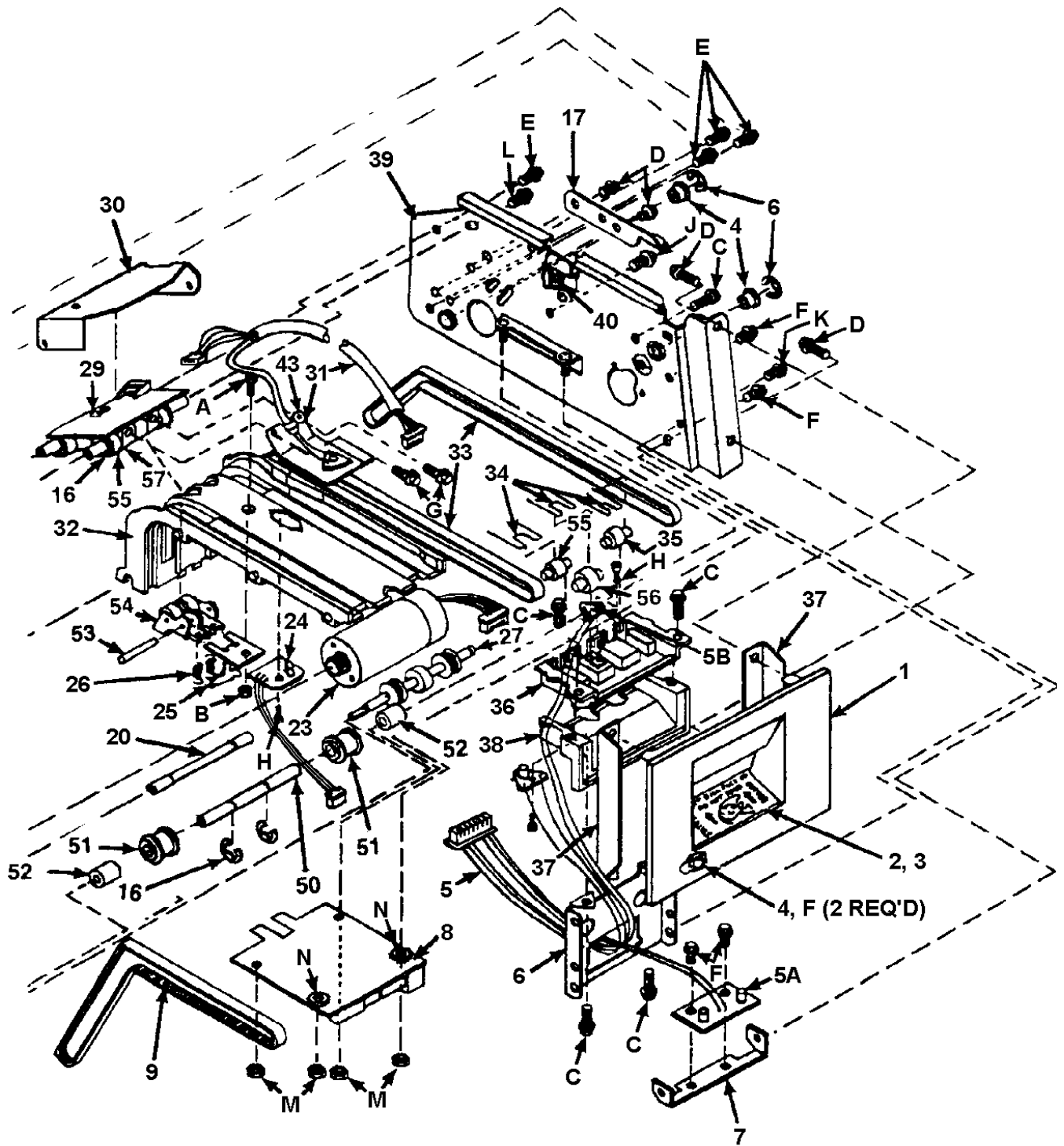


Figure 6-5. BA-50 Bill Acceptor Assembly (Sheet 1)

Ref.	Part No.	Description	Qty
	65068501	BA-50 Bill Acceptor	
1	65022401	• Trim - Front (Bill Acceptor)	1
2	30622102	• Window - Clear	1
3	35118901	• Insert - Window	1
4	21384701	• Retainer - Window	1
5	45073201	• Harness and Board Assembly with Inlet and LED's	1
	35119201	•• Circuit Board (with LED's)	1
	25236302	•• Photoconductive Cell (only)	1
	70035314	•• LED (only)	2
6	25076501	• Support Bracket	1
7	35119101	• Bracket - Legend Window	1
8	45073001	• Board Assembly - Interconnect	1
9	35082005	• Timing Belt (210-Tooth - .080 Pitch)	2
10	35114501	• Shaft and Pulley Assembly	1
11	35036003	• Plate Assembly - Side (LH)	1
12	35114401	• Drive Gear	1
13	70143801	• External Retaining Ring (1/4-Inch Diameter)	1
14	70146004	• Nyliner Bearing	4
15	B0031936	• Gear Reduction	1
16	70143004	• External Retaining Ring (1/4-Inch Diameter)	9
17	25194102	• Take-up Bracket (Roller Shaft)	2
18	25238902	Components:	
	25193402	• Shaft - Crowned Pulley	1
	25238902	• Output Roller (with Coupling)	1
	25193605	• Roller Creasing (with Coupling)	2
19	Ref.	Components:	
	35080003	• Pulley Shaft	1
	35080101	• Drum Pulley	2
20	Ref.	Components:	
	25196403	• Anti-Cheat Lever Shaft	1
	35096404	• Anti-Cheat Lever	1
	35081602	• Torsion Spring	1
21	Ref.	Components:	
	3508004	• Roller Shaft (Take-up)	1
	35080301	• Take-up Roller	2
	25243201	• Take-up Shaft Spacer	2
22	35113601	• Drive Shaft Assembly	1
23	45058408	• Motor Assembly with Encoder	1
24	45058205	• Harness and Board Assembly - Lower Reflector	1
	70035314	•• LED	1
	25236302	•• Photoconductive Cell	1
	25194803	•• Mounting Pad (TO18)	1
25	35114001	• Spring Bracket	1
26	25225003	• Tension Spring	2
27	Ref.	Components:	
A	25191702	• Pivot Pin	1
B	35080604	• Roller Assembly - Pressure (Mag. HD)	2
28	25193402	• Shaft - Crowned Pulley	1
29	45073101	• Head and Holder Assembly	1
30	35120201	• Cover - Mag. Amp (with Insulator)	1

Figure 6-5. BA-50 Bill Acceptor Assembly (Sheet 2)

Ref.	Part No.	Description	Qty
31	35118501	• Harness and Bracket Assembly - Mag. Amp	1
	25240801	• • Mounting Bracket Assembly (Sensor)	1
	21814009	• • Hex Lock Nut	1
	45073301	• • Harness & Board Assembly - Mag. Amp	1
32	65067101	• Track - Lower	1
33	35114901	• Drive Belt (Upper)	2
34	21342702	• Retaining Spring (Roller)	3
35	25235001	• Roller Shaft	3
36	65067501	• Bill Inlet (Upper)	1
37	25060101	• Bracket Side Shield	2
38	65067601	• Bill Inlet (Lower)	1
39	35035209	• Plate Assembly - Side (RH)	1
40	21398501	• Tension Spring	1
41	20922510	• Spacer	1
42	35126501	• Anti-Cheat Lever (Pull Back)	1
43	25079801	• Lug	1
44	25223101	• Flag Label	1
45	35104002	• Output Drive Guide	1
46	35147301	• Anti-Pullback Block	1
47	21776005	• Speed Clip Fastener (U Type)	1
48	35080003	• Pulley Shaft	1
49	35080101	• Pulley	2
50	35080004	• Roller Shaft (Take-Up)	1
51	35080301	• Take-Up Roller	2
52	25243201	• Shaft Spacer (Take-Up Roller)	2
53	25191702	• Pivot Pin	1
54	35080604	• Pressure Roller Assembly	2
55	25193301	• Crowned Roller	4
56	25193902	• Roller - Idler (Input)	1
57	70120915	• Washer	4
58	25192902	• Timing Pulley (22-Tooth)	1
59	70143301	• External Retaining Ring	2

HARDWARE LIST

A	80653006	#8-32 x 3/8 Hex HMS	1
B	87843000	#8-32 Keps Hex MS Nut	1
C	89293007	#8-18 x 7/16 Hex WRHS (Hi-Lo)	6
D	80443008	#8-32 x 1/2 Hex WRHMS (SF)	8
E	80443006	#8-32 x 3/8 Hex WRHMS (SF)	9
F	80443004	#8-32 x 1/4 Hex WRHMS (Hi-Lo)	7
G	89292307	#6-19 x 7/16 Hex WRHS (Hi-Lo)	2
H	89281605	#4-24 x 5/16 Phil Pan RO HS (Hi-Lo)	3
I	80542304	#6-32 x 1/4 Sems Phil RO HMS	2
J	80384405	#10-32 x 5/16 Phil Pan HMS (SF)	1
K	80403004	#8-32 x 1/4 Phil Pan HMS (SF)	3
L	80383006	#8-32 x 3/8 P.R. HMS (SF)	1
M	87842300	#6-32 Keps Hex MS Nut	4
N	88903000	#8 External Lockwasher	2
O	80443007	#8-32 x 7/16 Hex WHS (Swage Form)	2

Figure 6-6. Power Control Center Assembly

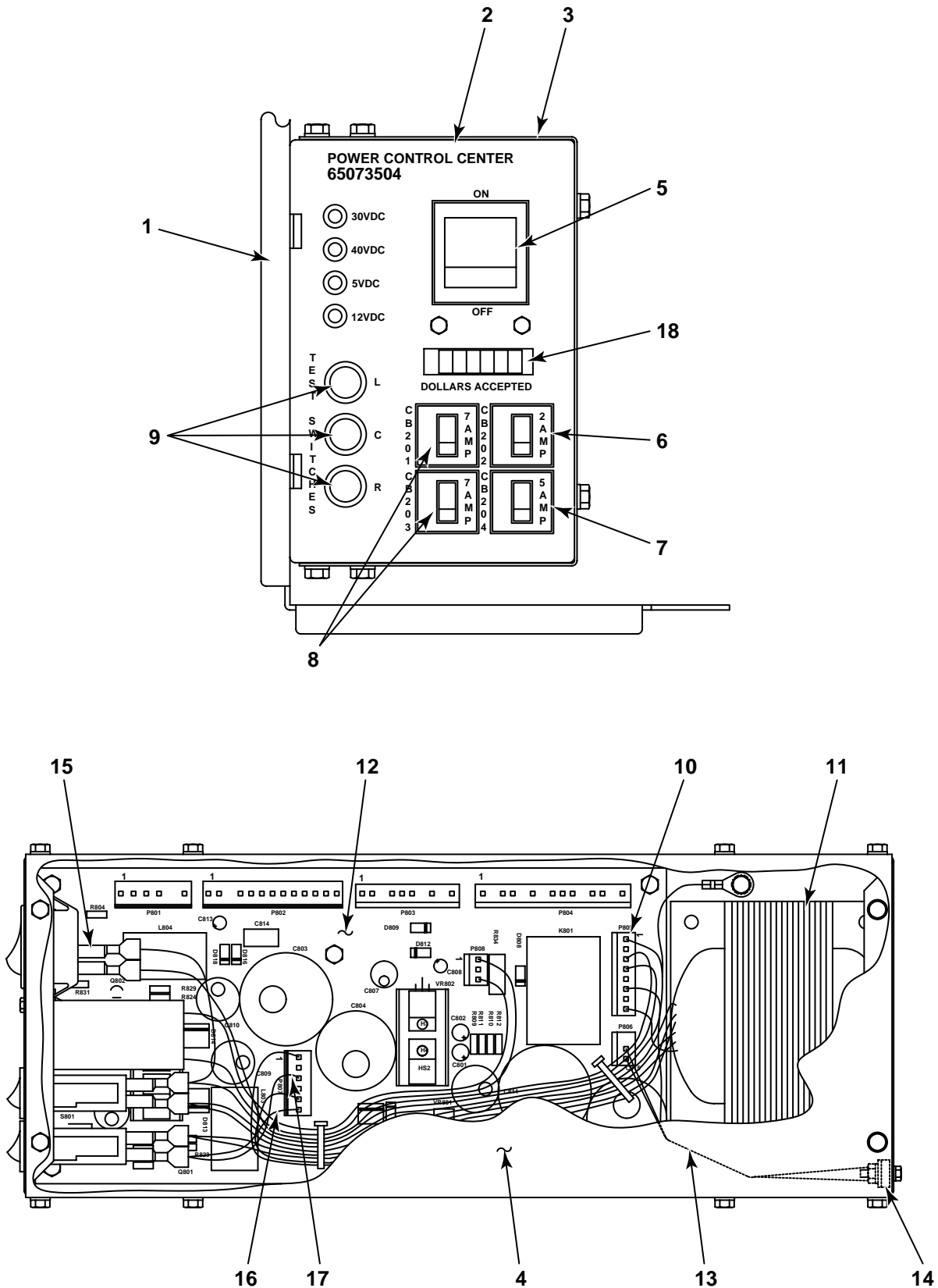


Figure 6-6. Power Control Center Assembly

Ref.	Part No.	Description	Qty
	45078006	Power Control Center Assembly with Bracket	
1	65069901	• Power Control Center Mounting Bracket	1
2	65073504	• Power Control Center Assembly	1
3	45075804	• Power Control Box Assembly	1
4	45075501	• Power Control Box Cover Assembly	1
5	30785701	• Rocker Switch (SPST)	1
6	70073605	• Circuit Breaker - 2 Amp (CB202)	1
7	70073608	• Circuit Breaker - 5 Amp (CB204)	1
8	70073610	• Circuit Breaker - 7 Amp (CB201, CB203)	2
9	21638002	• Switch Cap	3
10	35120301	• Power Control Harness Assembly	1
11	45049505	• Power Transformer Assembly	1
12	65069705	• Circuit Board Assembly - Power Supply	1
		<i>(see Schematic and Components List in Section 4)</i>	
13	25255901	• Resistor Harness Assembly	1
14	70013001	• Resistor - 50Ω, 30W (R813)	1
15	21621837	• Jumper Assembly (Black/Yellow)	1
16	21621836	• Jumper Assembly (Red/Yellow)	1
17	21621835	• Jumper Assembly (Yellow/Green)	1
18	25065709	• Counter Assembly (Bills Accepted)	1
	21441802	•• Electric Counter	1
	70075701	•• Keying PLug	1
	70075503	•• Conector Housing (3 Pin)	1

Figure 6-7. Control Computer Assembly

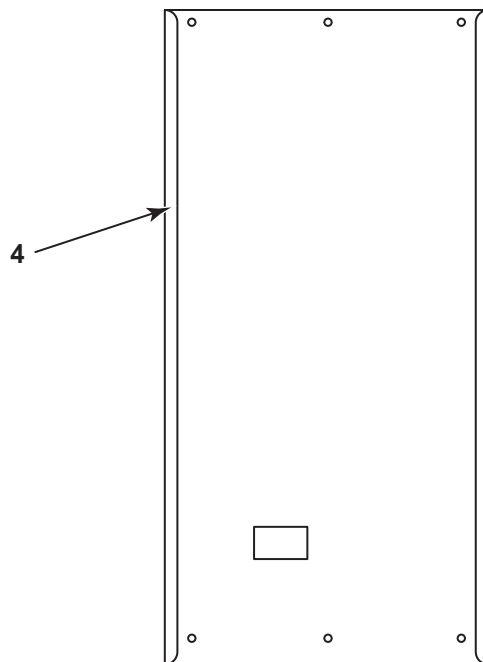
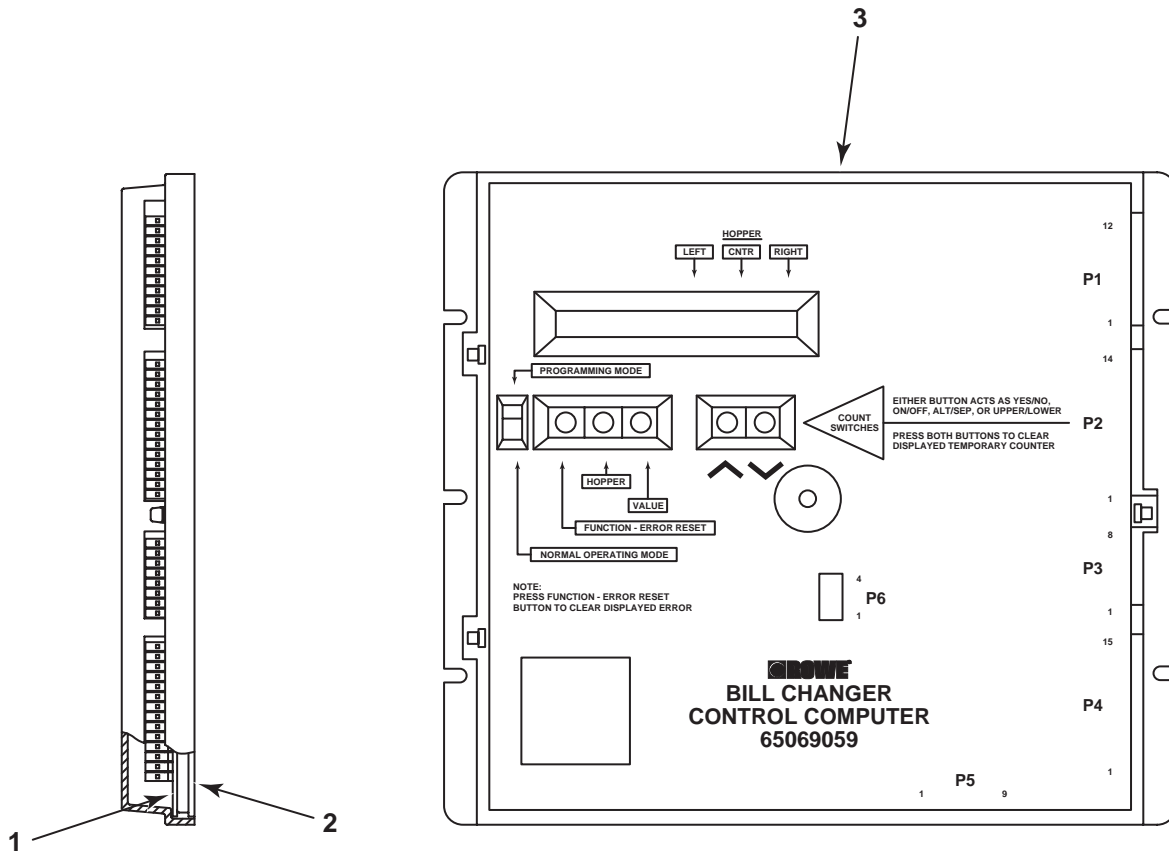


Figure 6-7. Control Computer Assembly

Ref.	Part No.	Description	Qty
	65069059	Control Computer Assembly	
1	65077459	• Control Computer Board Assembly (see <i>Schematic in Section 4 for components</i>)	1
2	65069401	• Base Cover Assembly	1
3	65069308	• Cover	1
4	45060803	• Guide Plate (see <i>Figure 6-3, Item 49</i>)	1

Figure 6-8. Coin Dispenser Assembly

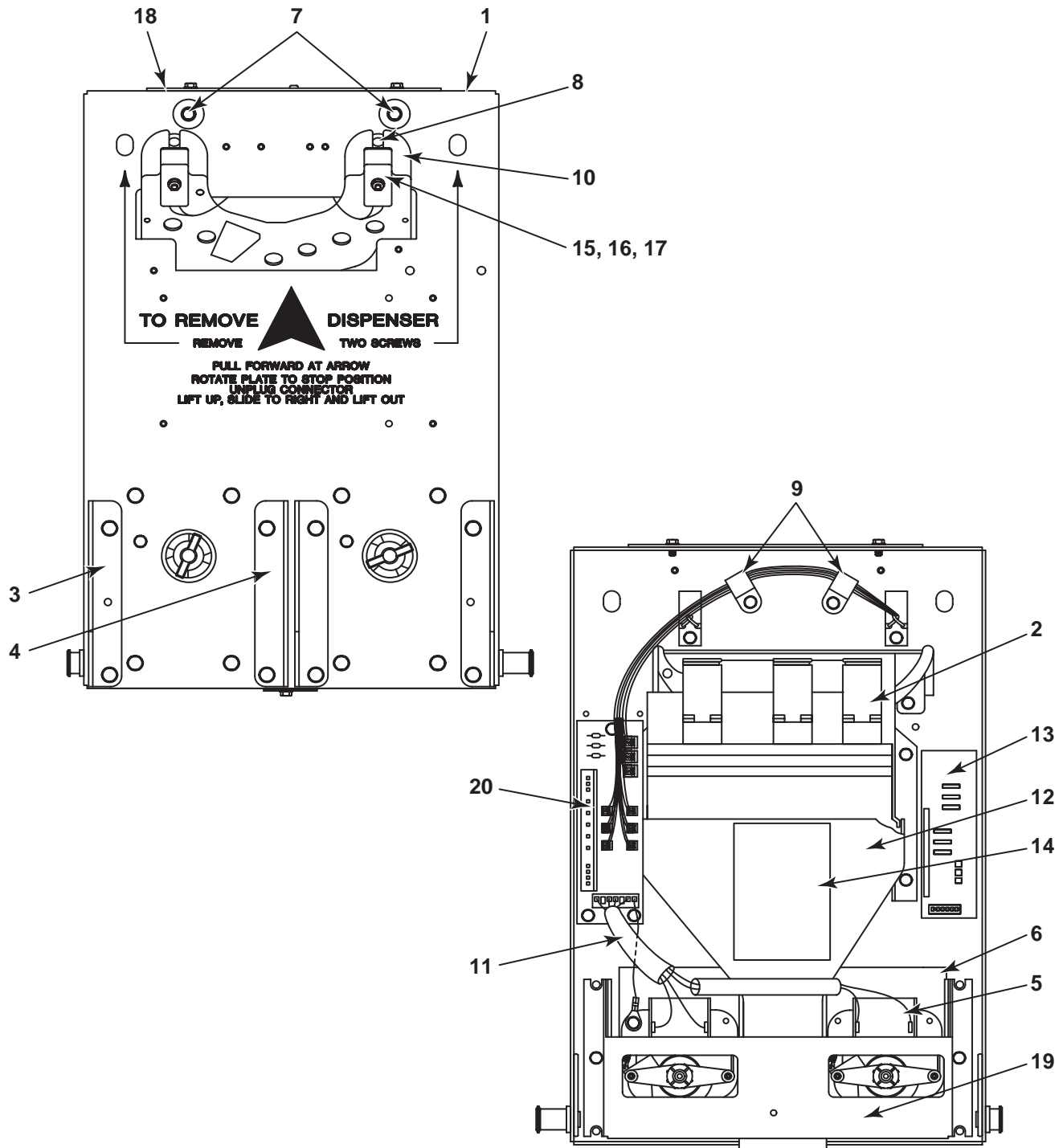


Figure 6-8. Coin Dispenser Assembly

Ref.	Part No.	Description	Qty
Ref.		Coin Dispenser Assembly	
	65058011	• BC-1200 only	
	65058012	• BC-1400 only	

Both the BC-1200 and the BC-1400 use the same components, except as noted.

1	45035311	• Frame and Pivot Assembly	1
2	Ref.	• Change Bucket Assembly	1
	45032615	• BC-1200 only (<i>see Figure 6-9</i>)	
	45032616	• BC-1400 only (<i>see Figure 6-9</i>)	
3	35044702	• Mounting Bracket (Hopper LH)	2
4	35044802	• Mounting Bracket (Hopper RH)	2
5	35049102	• Hopper Drive Motor Assembly	2
	45034102	•• Hopper Drive Motor	
	45034001	•• Ratchet Coupling	
	25097701	•• Compression Spring	
	70120904	•• Washer (Nylon)	
	70110126	•• Groove Pin (1/8 x 3/4)	
	37004601	•• Gear Box	
6	35046401	• Mounting Bracket (Motor)	2
7	25112701	• Rubber Bumper	2
8	45076101	• LED Holder Assembly	2
	70035315	•• LED	2
9	70093106	• Cable Clamp (7/16")	2
10	45035006	• Chute Assembly	1
11	65029114	• Dispenser Harness Assembly	1
12	35068202	• Chute Assembly - Coin Weld (BC-1200 only)	1
13	25169106	•• Dispenser Wiring Label	1
14	25163902	• Dispenser Bucket Lube Label	1
15	25175702	• Photodetector Board and Terminal Assembly	2
16	70121626	• Spacer (Nylon)	2
17	35048202	• Terminal Board Cover	2
18	35125401	• Hopper Latch Assembly	1
19	45042602	• Dispenser Motor Guard	1
20	45076402	• Circuit Board Assembly - Interconnect	1
A	70035006	•• Diode	3
	25189411	• Coin Dispenser Label	1

Figure 6-9. Change Bucket Assembly

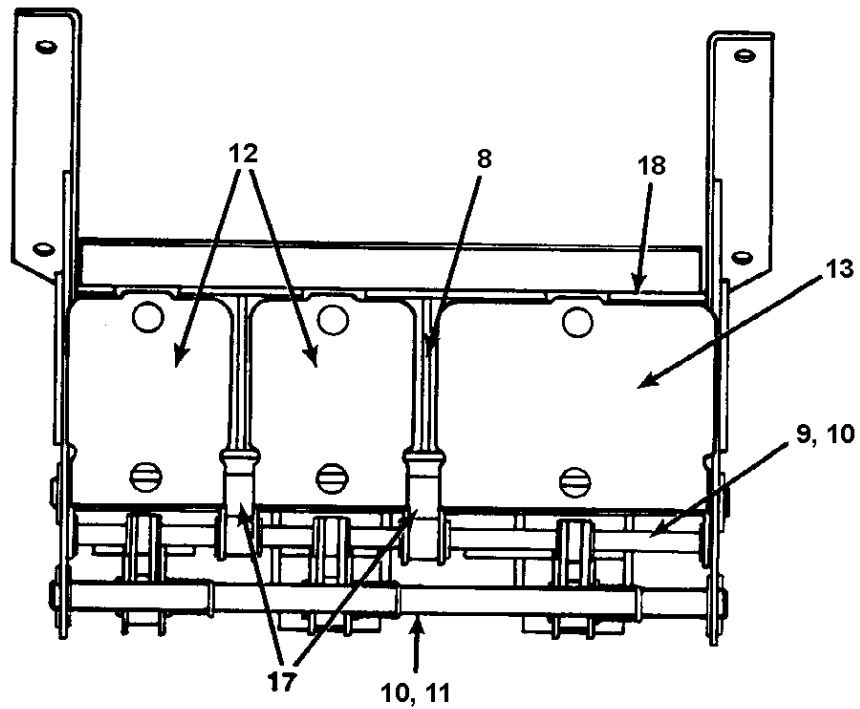
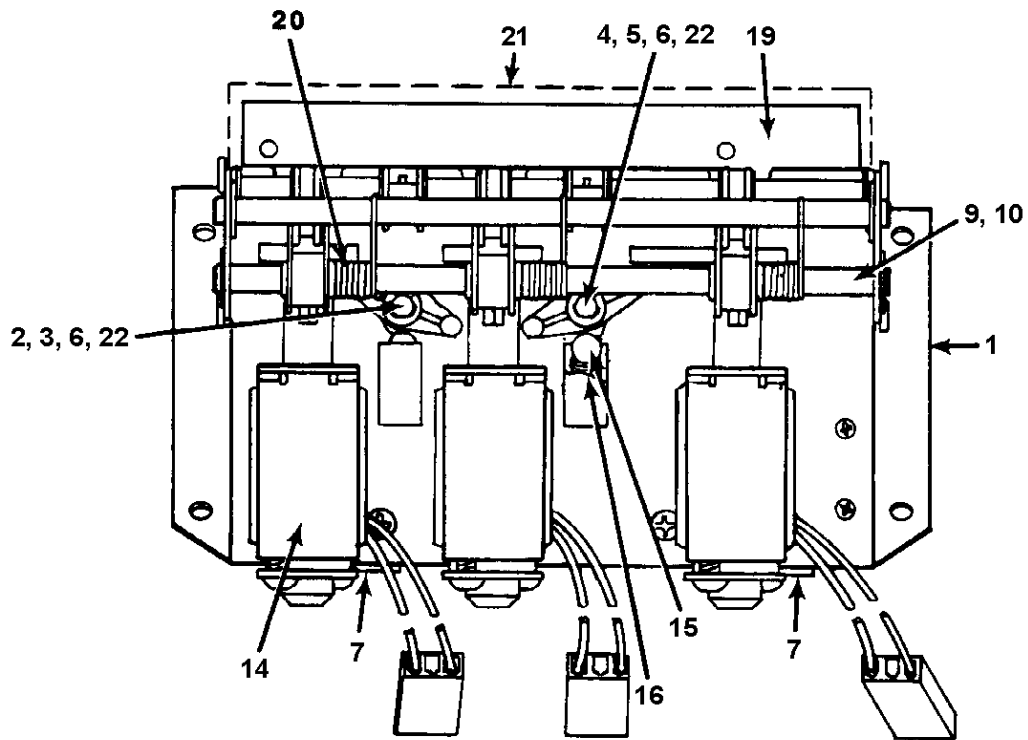


Figure 6-9. Change Bucket Assembly

Ref.	Part No.	Description	Qty
	45032615	Change Bucket Assembly (BC-1200)	1
	45032616	Change Bucket Assembly (BC-1400)	1

Except for the mounting bracket (*Ref. 19*) and the shroud (*Ref. 21*), both bucket assemblies are the same.

1	35045004	• Frame Assembly - Bucket	1
2	35045101	• Door Assembly - Diverter (LH)	1
3	25110001	• Toggle - Door (LH)	1
4	35045201	• Door Assembly - Diverter (RH)	1
5	25110101	• Toggle - Door (RH)	1
6	70143003	• External Retaining Ring	2
7	25112902	• Support Bracket	2
8	25098701	• Spacer Support	2
9	25099004	• Pivot Shaft (Door)	2
10	70143004	• External Retaining Ring	6
11	25099005	• Pivot Shaft (Door)	1
12	25158901	• Plunger and Door Assembly (Small Door)	2
13	25158902	• Plunger and Door Assembly (Large Door)	1
14	25232104	• Solenoid and Terminal Assembly	3
15	20746501	• Ball Bearing (1/4-Inch)	2
16	25099701	• Compression Spring	2
17	25098301	• Spacer Sleeve	2
18	35074801	• Plate Assembly - Front (Bucket)	1
19	25112402	• Mounting Bracket - Dispenser Chute (BC-1200 only)	1
20	25112002	• Torsion Spring	3
21	35090802	• Change Bucket Shroud (BC-1400 only)	1
22	70113005	• Roll Pin (1/16 x 7/16)	2

Figure 6-10. Hi-Capacity Hopper Assembly

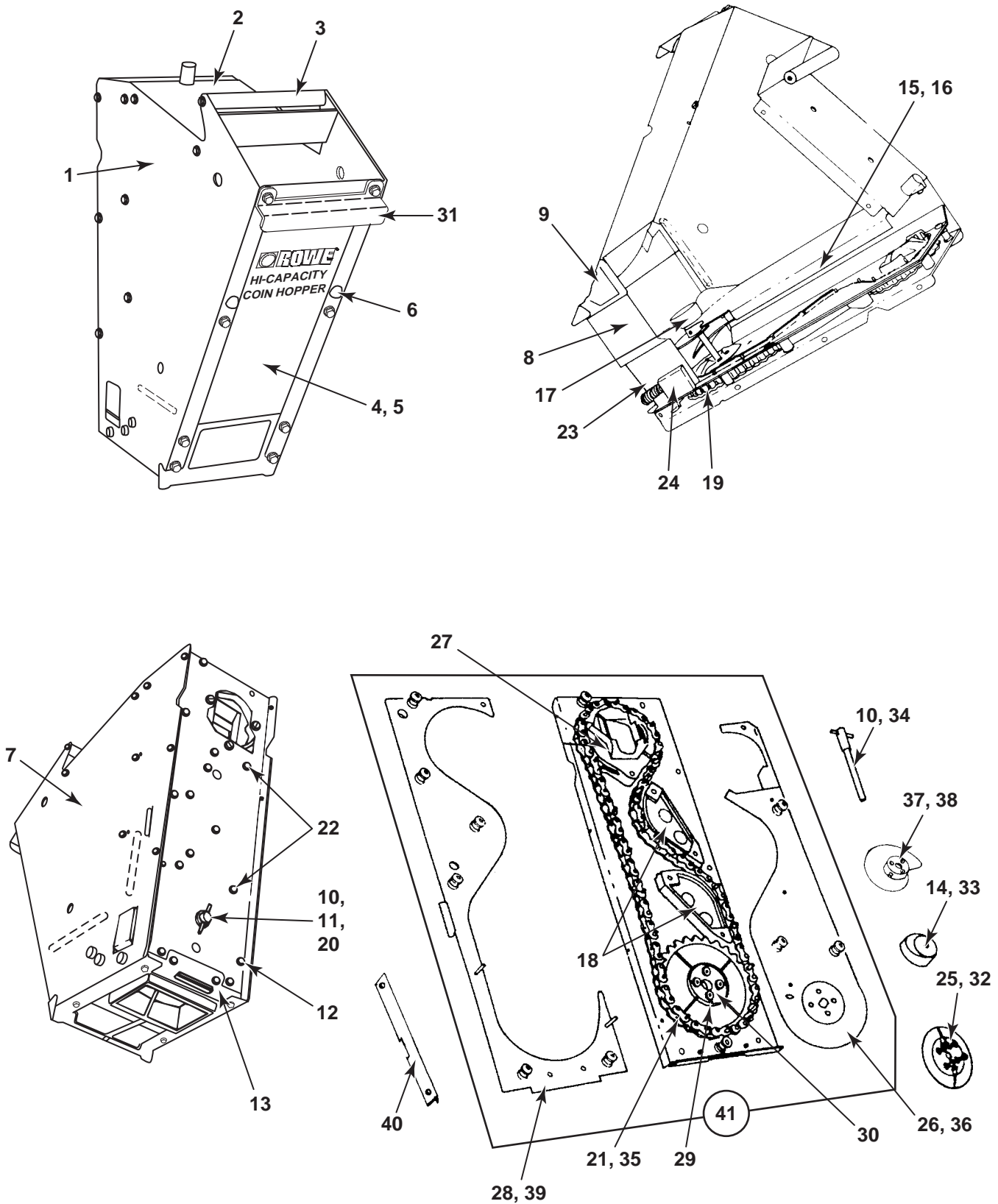
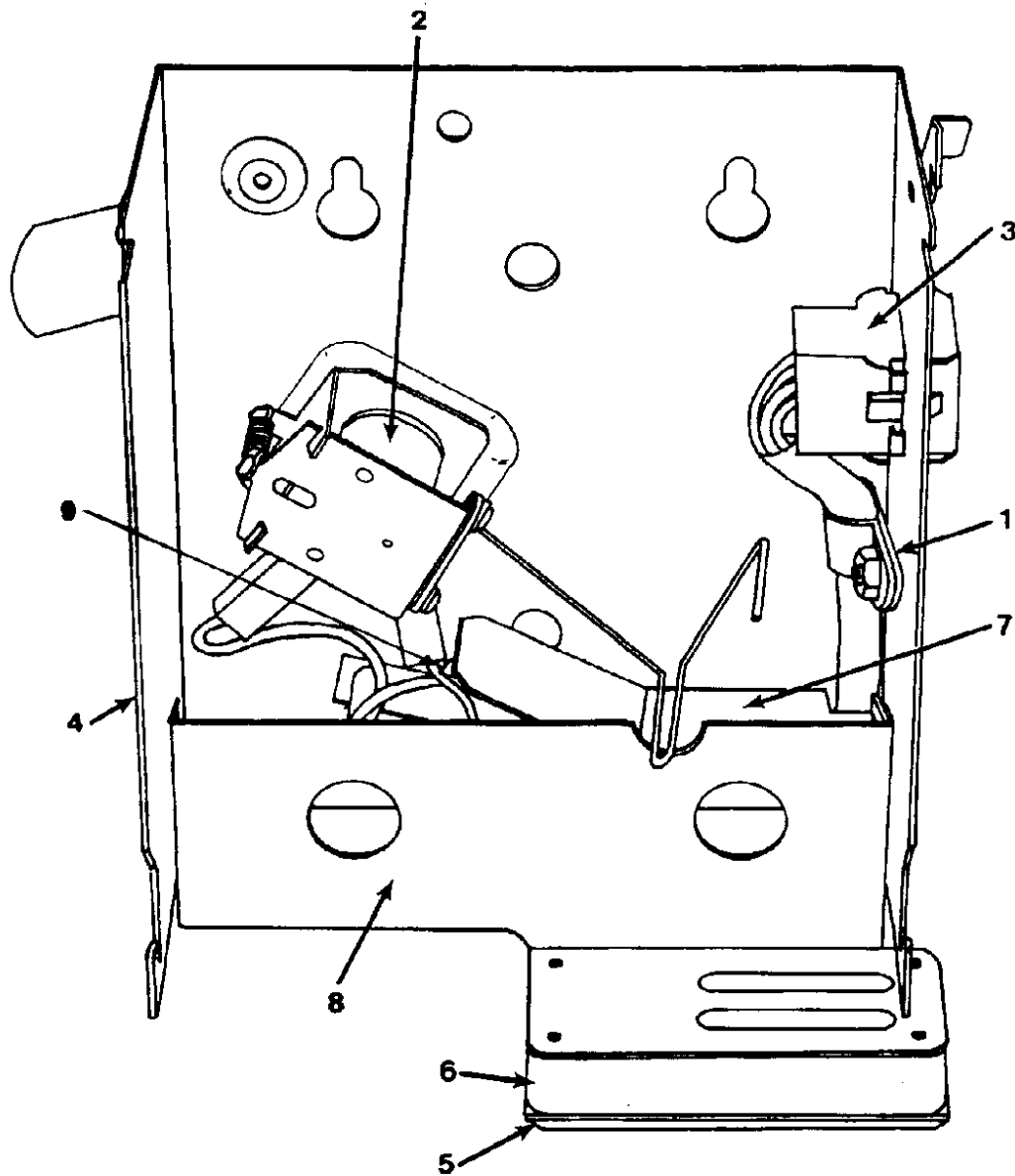


Figure 6-10. Hi-Capacity Hopper Assembly

Ref.	Part No.	Description	Qty
	65027608	Hi-Capacity Hopper Assembly (Small Coins)	Ref.
	65027609	Hi-Capacity Hopper Assembly (Large Coins)	Ref.
1	45032402	• Side Assembly - LH	1
2	35074201	• Top Assembly - Large Hopper	1
3	25098101	• Hopper Handle	1
4	35044608	• Front Cover Small Coins (Small Coins)	1
5	35044609	• Front Cover Small Coins (Large Coins)	1
6	25114701	• Bumper	2
7	45032503	• Side Assembly - RH	1
8	65027902	• Fixed Funnel (Intermediate)	1
9	65027901	• Fixed Funnel	1
10	25113701	• Drive Shaft and Pin Assembly (Small Coins)	1
11	70120903	• Washer	1
12	70121624	• Spacer	2
13	35048801	• Tie Bracket	1
14	35058101	• Agitator Cam (Small Coins)	1
15	45072101	• Coin Baffle and Stud Assembly (Small Coins)	1
	25224501	• • Baffle and Bracket Assembly	1
16	45072102	• Coin Baffle and Stud Assembly (Large Coins)	1
	25224501	• • Baffle and Bracket Assembly	1
17	70146006	• Nylon Bearing	1
18	35048501	• Chain Guide	2
19	35060501	• Plate and Post Assembly	1
20	70146021	• Nylon Bearing	1
21	35043703	• Extended Pin Chain (Small Coins)	1
22	70134109	• Special Screw (#8-32 Black)	2
23	25113401	• Compression Spring	2
24	65028202	• Sliding Funnel	1
25	45034205	• Agitator (Small Coins)	1
26	35144502	• Inner Guide Assembly (Small Coins)	1
27	65028803	• Chain Guide Ring	1
28	45031902	• Outer Slide Assembly (Small Coins)	1
29	45035601	• Sprocket	1
30	35017101	• Drive Spacer	1
31	25165902	• Hopper Handle	1
32	45034204	• Agitator (Large Coins)	1
33	35058102	• Agitator Cam (Large Coins)	1
34	25113702	• Drive Shaft and Pin Assembly (Large Coins)	1
35	35043705	• Extended Pin Chain (Large Coins)	1
36	35044504	• Inner Guide Assembly (Large Coins)	1
37	25171202	• Upper Agitator Assembly (Large Coins)	1
38	70113013	• Roll Pin (.099/.103 x 7/8)	1
39	445031903	• Outer Slide Assembly (Large Coins)	1
40	25223901	• Coin Ramp (Large Coins)	1
41	Ref.	This assembly includes items 26, 28, & 37, and is available as a replacement part as follows:	
	47000601	• Coin & Chain Guide Assembly (Small Coins)	1
	47000602	• Coin & Chain Guide Assembly (Large Coins)	1

**Figure 6-11. Coin Acceptor Bracket and Harness Assembly
(BC-1200 Option Only)**



**Figure 6-11. Coin Acceptor Bracket and Harness Assembly
(BC-1200 Option Only)**

Ref.	Part No.	Description	Qty
	35026111	Coin Acceptor Bracket and Harness Assembly	
1	70093104	• Cable Clamp	1
2	35031702	• Lockout Magnet	1
3	35028208	• Coin Acceptor Harness and Plug Assembly	1
	30422517	•• Terminal Strip (3 Position)	1
	70035005	•• Silicon Diode (D305)	1
4	35031801	• Coin Acceptor Bracket and Lock Assembly	1
5	25171101	• Solid-State Coin Switch Cover	1
6	45048203	• Solid-State Coin Switch Assembly	1
		<i>(see Schematic and Components List in Section 4)</i>	
7	25163101	• Shield Bracket	1
8	35063001	• Mounting Bracket (Coin Switch)	1
	40861402	•• Mechanical Coin Acceptor - 25¢ (not shown)	1
	40861404	•• Mechanical Coin Acceptor - \$1 (not shown)	1

**Figure 6-12. Coin Acceptor
(BC-1200 Option Only)**

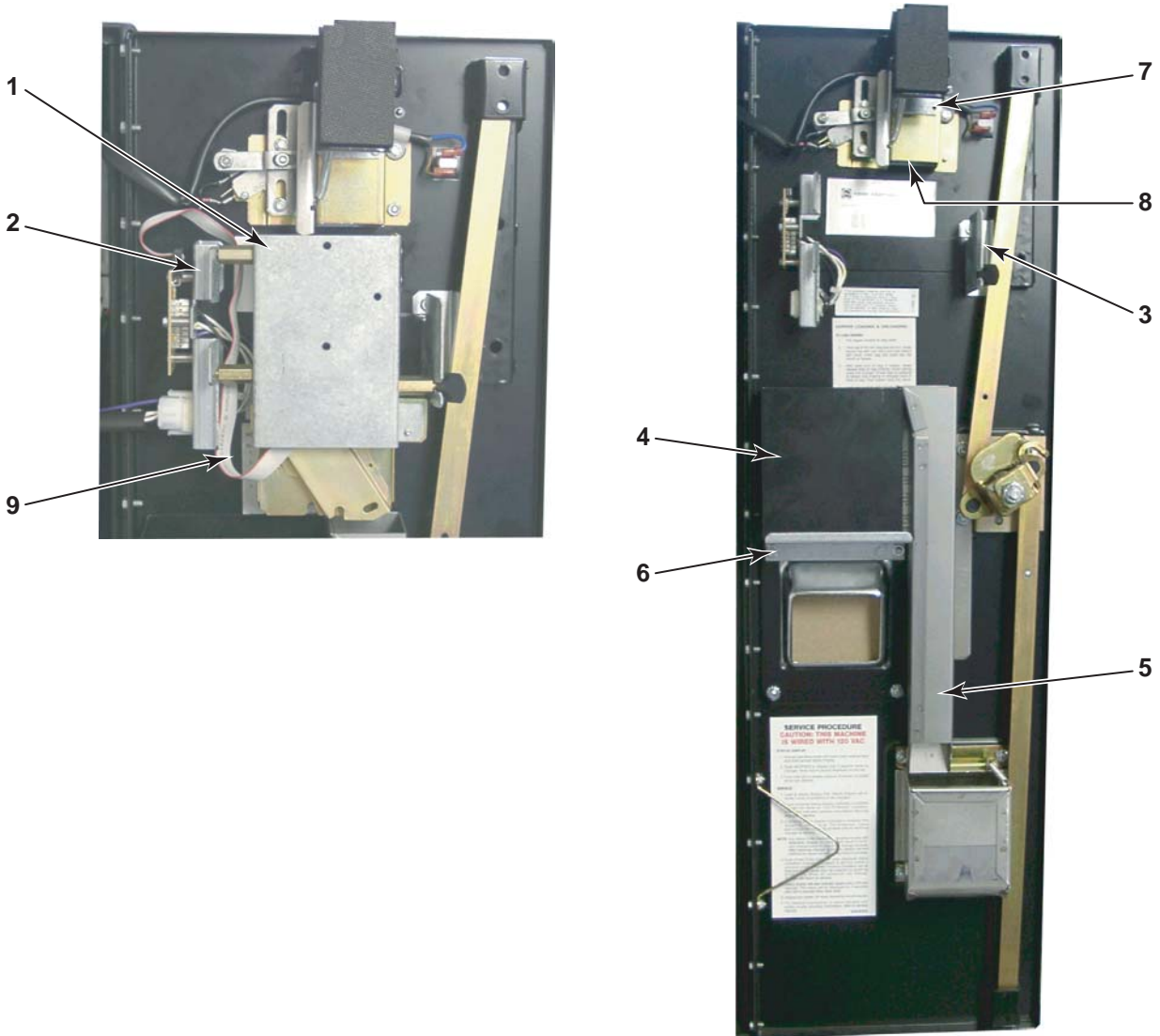


Figure 6-12. Coin Acceptor (BC-1200 Option Only)

Ref.	Part No.	Description	Qty
1	30998802	Holder/Adapter Assembly	1
2	35175301	Mini-Acceptor Hinge Bracket	1
3	35175501	Mini-Acceptor Snap Bracket Assembly	1
4	45050502	Cash Box	1
5	45086703	Slug Chute	1
6	35069201	Coin Box Bracket	1
7	25172802	Coin Deflector	1
8	25169902	Bottom Chute - Coin Inlet	1
9	35028216	Adapter Harness	1

Figure 6-13A. BC-1200 Dual Bill Stacker Assembly

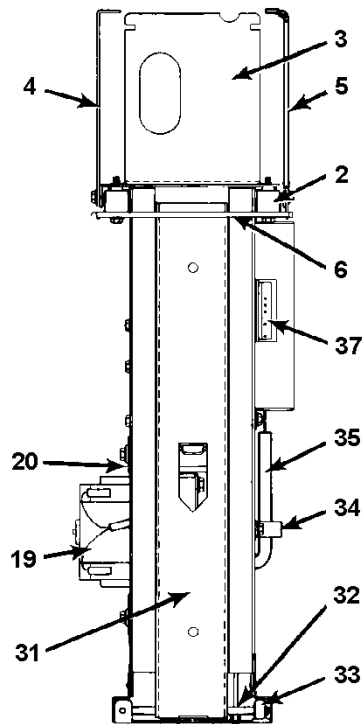
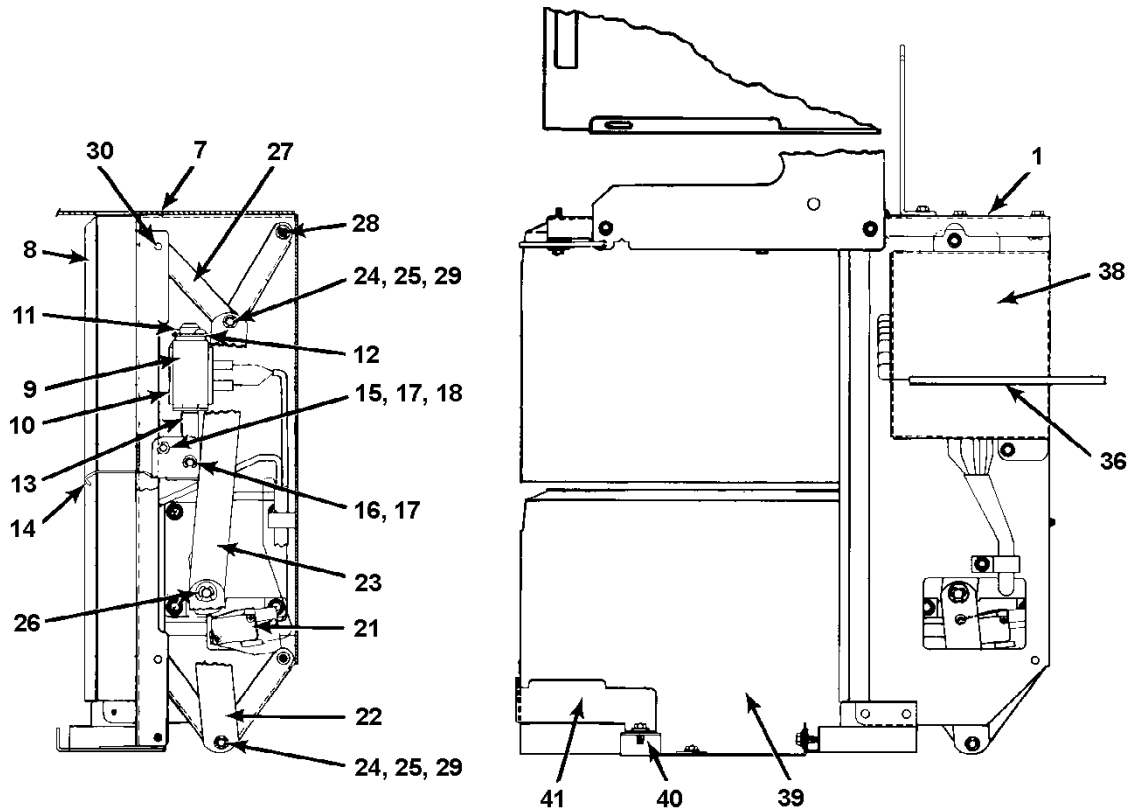


Figure 6-13A. BC-1200 Dual Bill Stacker Assembly

Ref.	Part No.	Description	Qty
	65046804	BC-1200 Dual Bill Stacker Assembly	
1	45052501	• Support Frame	1
2	25156911	• Shoulder Washer	6
3	35072001	• Rear Hanger	1
4	35072101	• Front Hanger	1
5	45082202	• Front Hanger (RH)	1
6	25178401	• Bill Box Catch	1
7	45052601	• Separator Chute Assembly	1
8	35072801	• Chute Edge	2
9	21150509	• Solenoid Assembly	1
10	25178501	• Solenoid Bracket	1
11	25158001	• Stop Assembly	1
12	25098403	• Solenoid Stop Plate	1
13	25178601	• Solenoid Plunger Assembly	1
14	25178701	• Bill Stop	1
15	25178801	• Bill Stop Pivot	1
16	21534705	• Pivot Pin	1
17	70143003	• External Retaining Ring	4
18	70146003	• Bearing	19
19	35072201	• Motor and Crank Assembly	1
	45052901	• • Gear Motor	1
	25179701	• • Crank and Pin Assembly	1
	70113204	• • Spiral Pin	1
20	35072301	• Motor Mounting Plate	1
21	35099701	• Switch Assembly	1
	25179001	• • Switch Plate	1
	21073102	• • Switch	1
	21082901	• • Switch Actuator	1
	21083001	• • Twin Nut	1
	25054801	• • Insulator	1
22	35072401	• Drive Link	1
23	35072402	• Drive Link	1
24	70146004	• Bearing	2
25	70146010	• Bearing	2
26	70143004	• External Retaining Ring	1
27	25179101	• Push Plate Link	4
	70146003	• • Bearing	16
28	25179202	• Support Shaft	2
	70143003	• • External Retaining Ring	8
29	21534706	• Pivot Pin	2
	70143003	• • External Retaining Ring	4
30	21534707	• Pivot Pin	2
	70143003	• • External Retaining Ring	4
31	35072501	• Push Plate	1
32	25179501	• Roller Shaft	1
33	25179601	• Roller	2
	70143003	• • External Retaining Ring	6
34	70093401	• Cable Clamp	2
35	45052401	• Bill Stacker Harness Assembly	1
36	35077302	• Double Stacker Harness Assembly (6" long)	1
37	65046701	• Driver Circuit Board Assembly (see <i>Schematics and Components List in Section 4</i>)	
38	45052701	• Circuit Board Cover	1
39	45034603	• Cash Box Assembly	2
	25096101	• • Foam Black	2
	35039204	• • Pressure Plate Assembly	2
40	45052801	• Lower Bill Box Mounting Bracket	1
41	25181801	• Lower Bill Box Stop an Stud Assembly	1

Figure 6-13B. BC-1400 Dual Bill Stacker Assembly

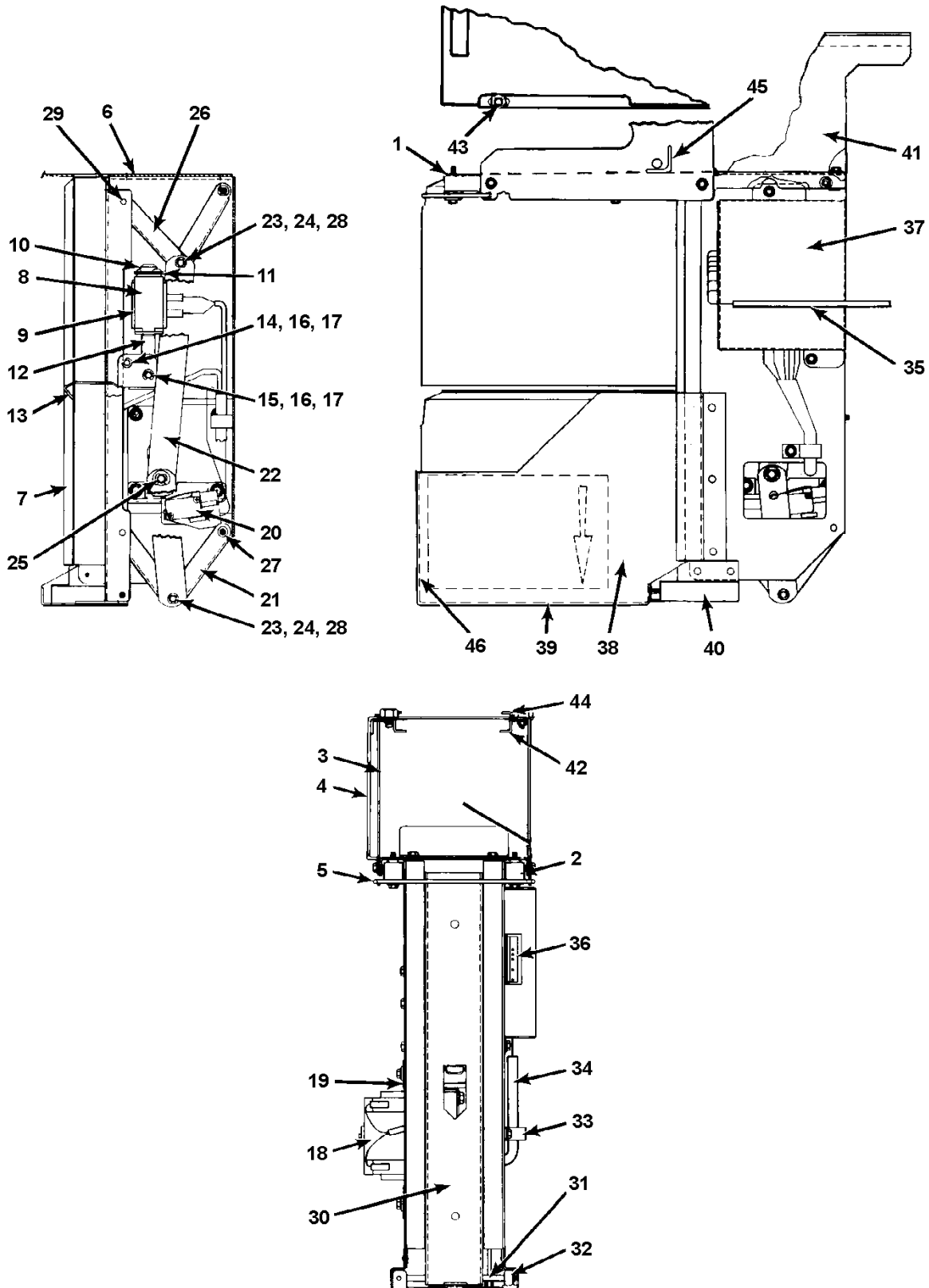


Figure 6-13B. BC-1400 Dual Bill Stacker Assembly

Ref.	Part No.	Description	Qty
	65046808	BC-1400 Dual Bill Stacker Assembly	
1	45052501	• Support Frame	1
2	25156911	• Shoulder Washer	6
3	35072101	• Front Hanger	1
4	35072102	• Front Hanger	1
5	25178401	• Bill Box Catch	1
6	45052603	• Separator Chute Assembly	1
7	35072801	• Chute Edge	2
8	21150509	• Solenoid Assembly	1
9	25178501	• Solenoid Bracket	1
10	25158001	• Stop Assembly	1
11	25098403	• Solenoid Stop Plate	1
12	25178601	• Solenoid Plunger Assembly	1
13	25178701	• Bill Stop	1
14	25178801	• Bill Stop Pivot	1
15	21534705	• Pivot Pin	1
16	70143003	• External Retaining Ring	4
17	70146003	• Bearing	19
18	35072201	• Motor and Crank Assembly	1
	45052901	• • Gear Motor	1
	25179701	• • Crank and Pin Assembly	1
	70113204	• • Spiral Pin	1
19	35072301	• Motor Mounting Plate	1
20	35099701	• Switch Assembly	1
	25179001	• • Switch Plate	1
	21073102	• • Switch	1
	21082901	• • Switch Actuator	1
	21083001	• • Twin Nut	1
	25054801	• • Insulator	1
21	35072401	• Drive Link	1
22	35072402	• Drive Link	1
23	70146004	• Bearing	2
24	70146010	• Bearing	2
25	70143004	• External Retaining Ring	1
26	25179101	• Push Plate Link	4
	70146003	• • Bearing	16
27	25179202	• Support Shaft	2
	70143003	• • External Retaining Ring	8
28	21534706	• Pivot Pin	2
	70143003	• • External Retaining Ring	4
29	21534707	• Pivot Pin	2
	70143003	• • External Retaining Ring	4
30	35072501	• Push Plate	1
31	25179501	• Roller Shaft	1
32	25179601	• Roller	2
	70143003	• • External Retaining Ring	6
33	70093401	• Cable Clamp	2
34	45052401	• Bill Stacker Harness Assembly	1
35	35077302	• Double Stacker Harness Assembly (6" long)	1
36	65046701	• Driver Circuit Board Assembly (see Schematics and Components List in Section 4)	
37	45052701	• Circuit Board Cover	1
38	45034603	• Cash Box Assembly	2
	25096101	• • Foam Block	2
	35039204	• • Pressure Plate Assembly	2
39	45052801	• Lower Bill Box Mounting Bracket	1
40	25181801	• Lower Bill Box Stop an Stud Assembly	1
41	45060901	• Mounting Frame (BA)	1
42	35023307	• Mounting Bracket (BA-50)	2
43	25197801	• Post Spacer	2
44	35084801	• Guide	2
45	25198102	• Stop Bracket	1
46	25189901	• Caution Label	1

Figure 6-14. Money Return Lever Assembly

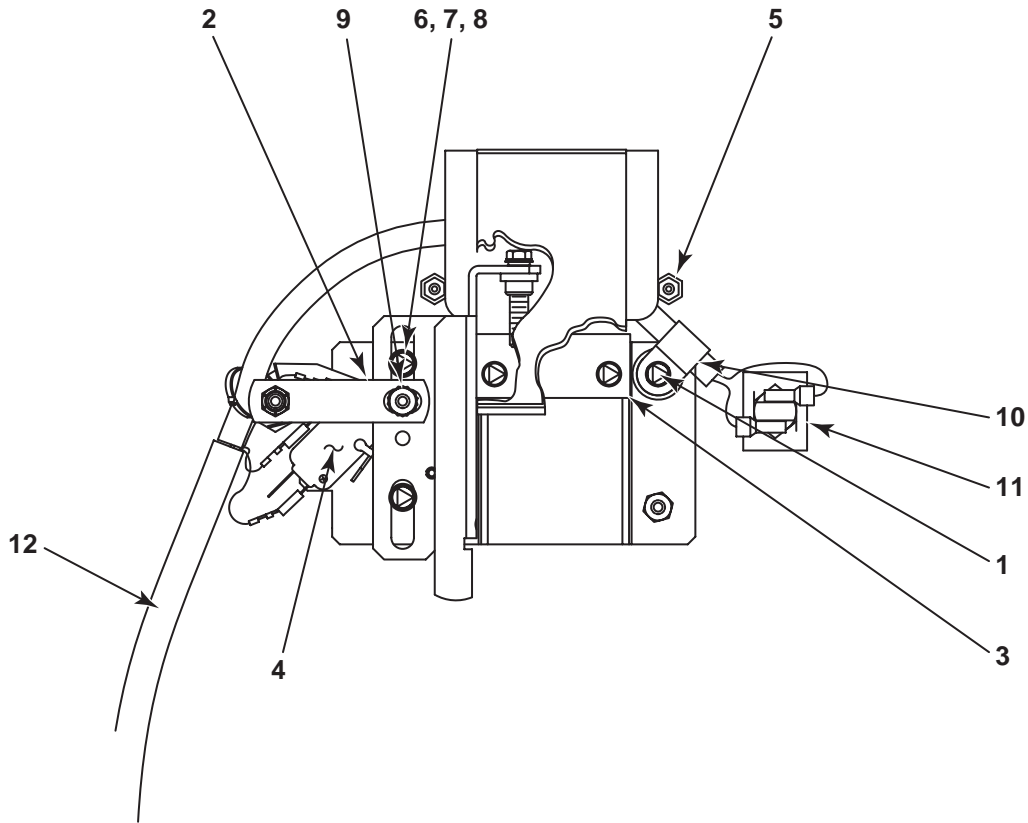


Figure 6-14. Money Return Lever Assembly

Ref.	Part No.	Description	Qty
	Ref.	Money Return Lever Assembly	
1	21301801	• Cup Washer	2
2	25251203	• Pivot Link	1
3	27027206	• Coin Block Bracket (50¢/\$1)	A/R
4	25255801	• Switch	1
5	70135512	• Palnut	2
6	70146008	• Nyliner Bearing	2
7	70120703	• Plain Washer (Teflon)	1
8	70143004	• External Retaining Ring	1
9	21357811	• Elastic Stop Nut (#8-32)	1
10	70093103	• Cable Clamp (1/4")	1
11	25191301	• Indicator Light	1
12	35032009	• Empty Light Harness Assembly	1

DECALS

BC-1200 Only (from Figure 6-2)				
Accepted Bill Decals				
Door Color	\$1's	\$1 & \$5's	\$1, \$5, \$10's	\$1, \$5, \$10, \$20's
Black	35133702	35133703	35133704	35133705
Brown	35133712	35133713	35133714	35133715
Blue	35133707	35133708	35133709	35133710
Accepted Coin Decals				
25211706	25¢ Decal			
25211709	25¢/\$1 Decal			
25211710	\$1 Decal			

BC-1400 Only	
Accepted Bill Decals	
25239601	\$10 Decal
25239602	\$10 & \$20 Decal

47002004 Label - "Pays \$1 Coins"
 27029312 **Decal - Service (BC-1400)**
 27029313 **Decal - Service (BC-2800)**

ACCESSORY KITS

25223401	National Keyset Lock Cylinder & Key
25223402	Van Lock Cylinder & Key
25223403	Chicago Flexace Lock Cylinder & Key
25223404	Abloy Lock Cylinder & Key
25223405	Medeco Lock Cylinder & Key
27033503	Touch-Up Paint (White)
27033504	Touch-Up Paint (Blue)
27033505	Touch-Up Paint (Charcoal Brown)

REPAIR KITS

27025801	Bucket Solenoid Plunger Kit (Narrow Door)
27025802	Bucket Solenoid Plunger Kit (Large Door)
27035901	Hopper Baffle Kit - High-Capacity (Quarters, Dimes, Nickels)
27035902	Hopper Baffle Kit - High-Capacity (\$1 Coins)
27029902	Hopper Motor Brake Lever Assembly
27020302	Motor Armature Assembly (Multi-Products)
27020801	Motor Armature Repair Kit (Molon)
27023302	Motor Brake Pawl (Multi-Products)
27023301	Motor Brake Pawl (Molon)
37004601	Hopper Motor Gear Case Assembly (Heavy Duty)
27033202	Hopper Conversion Kit (from small coins to large coins)
27034601	Door Guard Kit - high security frame that fits around the door openings
27031001	Line Filter Kit
27023902	Nylon Hopper Brush
65027609	S.B.A. Dollar Coin Hopper (or Large Tokens)
67002606	Service Cabinet with Door and Lock
35027806	T-Handle Assembly (Chicago Lock)
45062001	T-Handle Assembly (Medeco - w/Medeco Lock Cylinder)
35087512	Stellar Bank Kit - converts Standard Charcoal Brown Base & Filler Kit to Stellar Styling
27037401	25¢ Coin Acceptor Kit
35087503	Bank Kit (includes Base & Top Filler) Blue
35087504	Bank Kit (includes Base & Top Filler) White
35087505	Bank Kit (includes Base & Top Filler) Black
35087513	Bank Kit (includes Base & Top Filler) Charcoal Brown
35087533	Genesis Bank Kit - converts standard bank kit to Genesis Styling (should be used with 35087505 Black Base & Filler Kit to match vending bank)

REPAIR KITS *(continued)*

35087403	Top Filler Kit	Blue
35087404	Top Filler Kit	White
35087405	Top Filler Kit	Black
35087203	Base Kit	Blue
35087204	Base Kit	White
35087205	Base Kit	Black
47000601	Coin and Chain Guide Assembly (Small Coins)	
47000602	Coin and Chain Guide Assembly (Large Coins)	